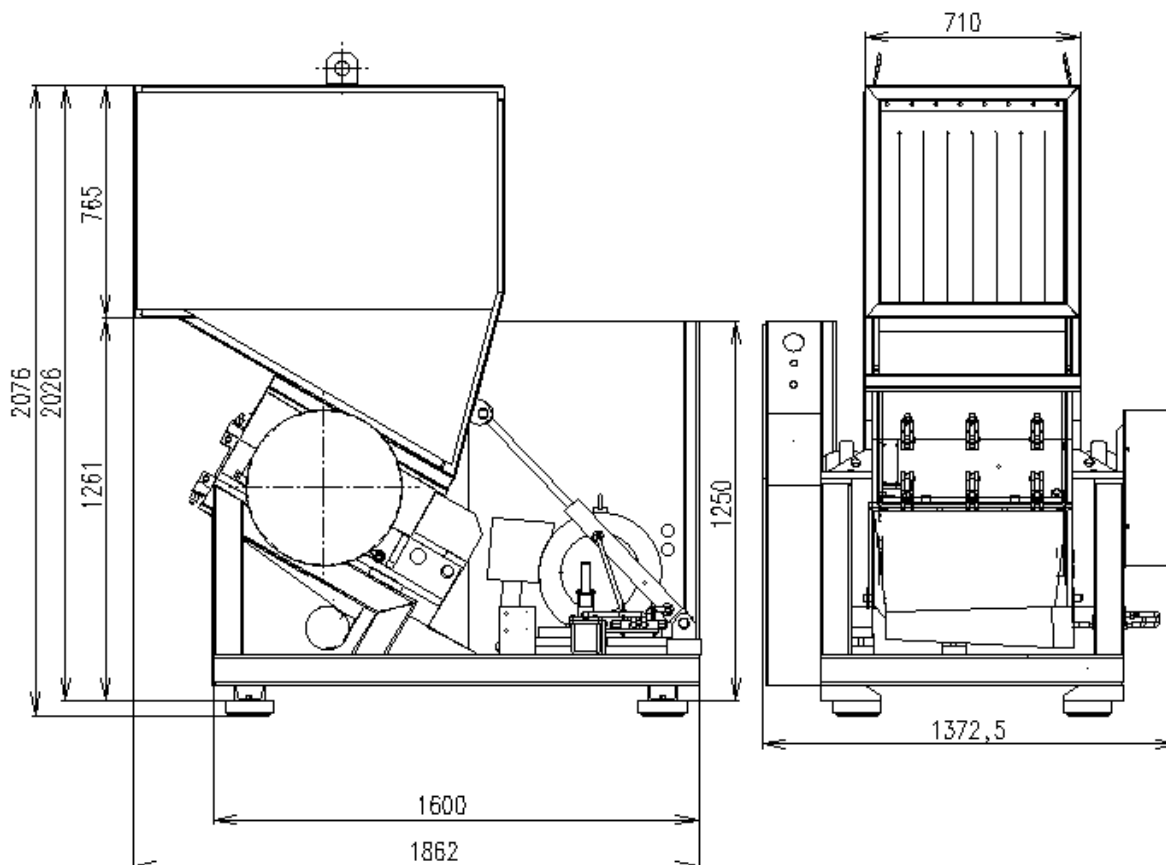




Mill with serrated knives GHS 400/600



Features:

- ideal for grinding tires, cables, electric/electronic straps, aluminium, waste with steel.
- good for recycling lines
- robust construction
- serrated knives
- easy cleaning when changing material
- optimum granulate quality

Technical parameters:

- rotor diameter 400 [mm]
- rotor length 600 [mm]
- motor 45,55 [kW]
- weight 2 [t]
- throughput 200 - 800 [kg/h]
- input hopper 400 x 600 [mm]

- rotor knives 2 x 4
- stator knives 2 x 2

