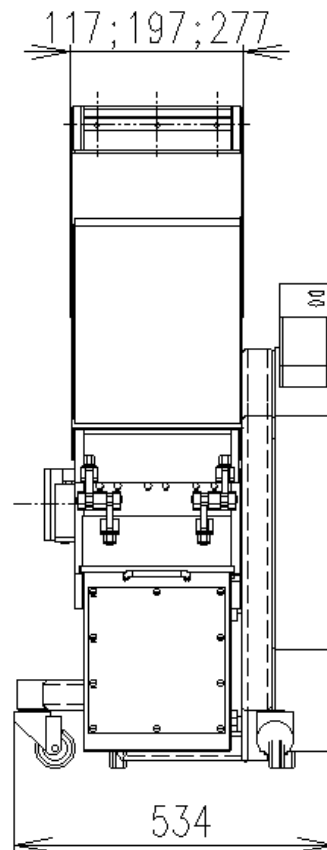
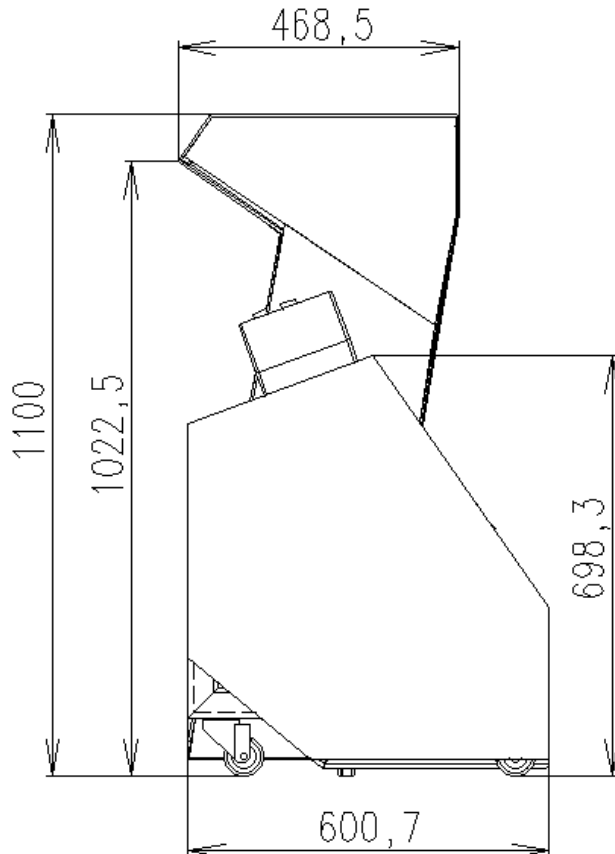


The mill (granulator)G 150/80,160,240 small but strong



Features:

- the best for recycling small plastic waste (sprues, ...)
- optimum granulate quality
- low noise
- easy to clean
- optimum granulate quality

Technical parameters:

- | | |
|-------------------|-----------------------|
| - diam of rotor | 150 [mm] |
| - length of rotor | 80, 16, 240 [mm] |
| - motor | 1.5 [kW] |
| - height | 50 - 100 [kg] |
| - rpm | 300 min ⁻¹ |
| - throughput | 15-45 [kg/hod] |