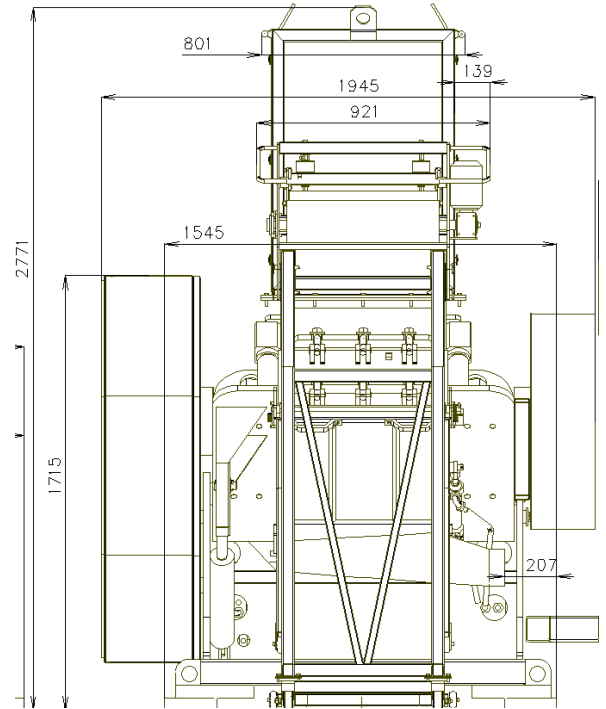
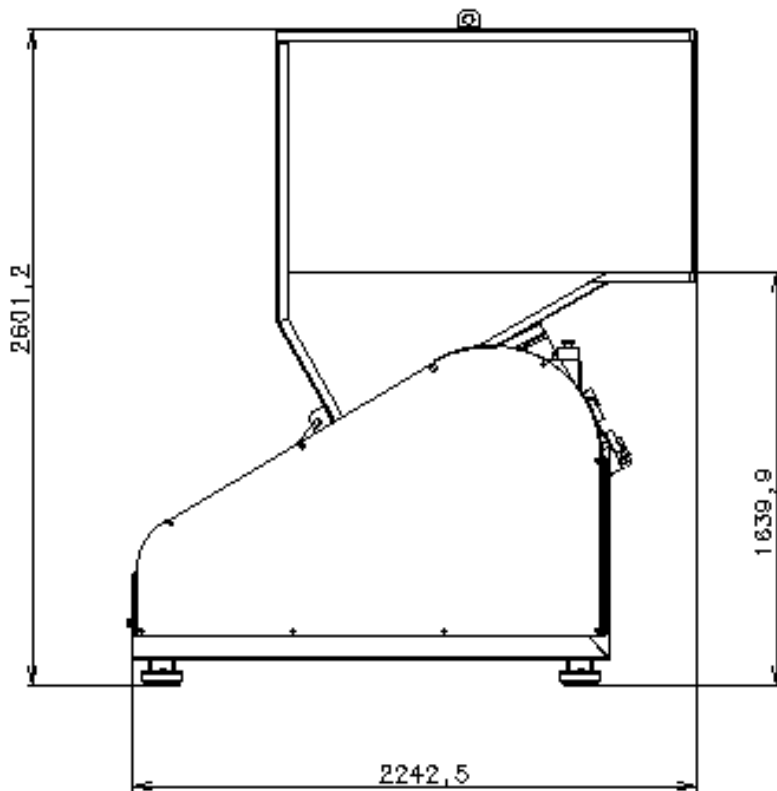


Knife mill- granulator G 500/600



Features:

- ideal for recycling plastic, rubber, textile and similar waste
- overload control (electrical and mechanical)
- easy cleaning when changing material
- optimum granulate quality

Technical parameters:

diam. of rotor 500 [mm]
length of rotor 600 [mm]
power 45, 55, 75 [kW]
weight 3 000 [kg]
throughput 300-1500 [kg/hour]

