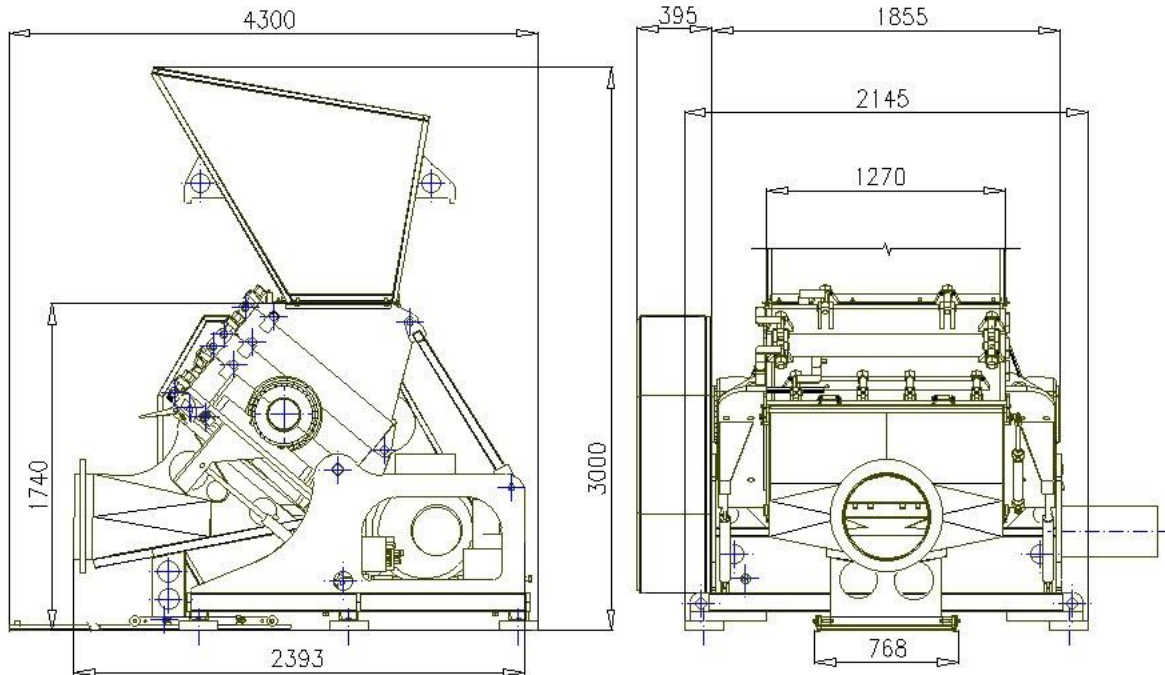


Knife mill - granulator G 600/1200



Features:

- ideal for recycling plastic, rubber, textile and similar waste
- overload control (electrical and mechanical)
- easy cleaning when changing material
- optimum granulate quality
- hydraulic control

Technical parameters:

-diam. of rotor	600 [mm]
-length of rotor	1200 [mm]
-power	90,110, 132 [kW]
-weight	6 000 [kg]
-throughput	1-5 [t/hour]
-knives (rotor/stator)	9/6

